

90° AN-9101

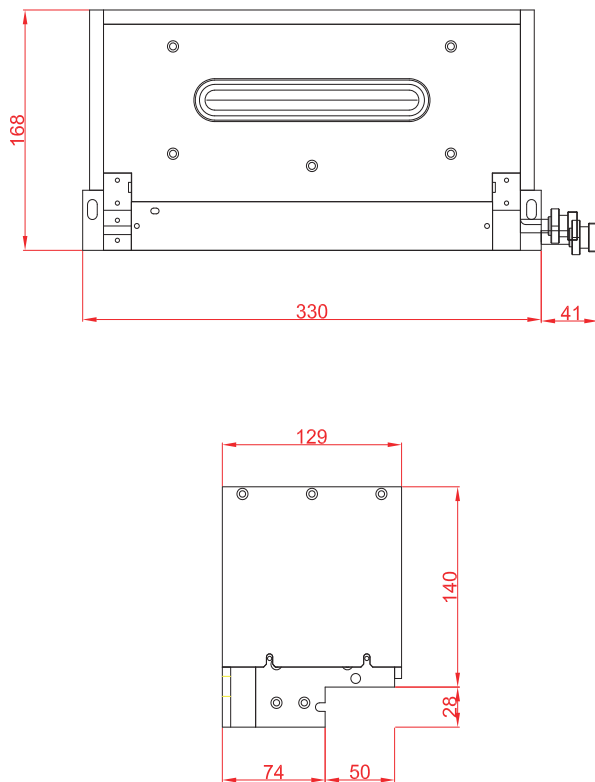
AN-9101 is capable of emitting a flat-shaped beam, making it effectively work for particle blocking.



- * Can be used in conjunction with ORIGIN's ISA-7000 product.
- * The configuration consists of a single electron gun, and the crucible is sold separately.
- * Some layouts may not be installable, so please inquire before placing an order.
- * We cannot guarantee the product's performance when used in combination with products from other manufacturers.

External Dimensions

(Unit: mm)



Technical Specifications

Model	AN-9101	
Application	Flat beam emit & Particle blocking	
Beam deflection angle	90°	180°
Maximum output power	3KW	
Accelerating voltage	-1000 to -10000Vdc	
Beam deflection adjust	N/A	Electronmagnet
Beam deflection current	N/A	0 to 2.5A
Deflection max frequency	N/A	2KHz -3dB
Beam scanning current X axis	N/A	60Hz (X axis) Max output (10App, ±2Adc)
X axis scanning max frequency	N/A	3KHz -3dB
Beam scanning current Y axis	N/A	60Hz (Y axis) Max output (10App, ±2Adc)
Y axis scanning max frequency	N/A	3KHz -3dB
Operation pressure	2Kg / cm ²	
Cooling water flow rate	5 to 8 L/min	
Fillament current	0 to 30A	
Ground	Lees than ground resistance 10 ohm	
External dimensions (Unit: mm)	330 (W) X 168 (D) X 129 (H)	
Weight	Approximately 18kg	

