



AN-9500 ION-Gun End-Hole Type

Anode voltage 0-250V, Emission current 0-16A
Evaporation Power 4Kw, 8Kw

본 이온빔-건은 End-hole 방식으로 특수 재질과 정밀가공되어 빠른 응답과 정밀 제어가 되며 특히 부품 수명이 오래도록 설계 되었으며 보조중착 및 크리닝, 스퍼터링에 사용됩니다.

오리진제품인 ISA9000이 제어를 하며, 안전장치로 과전류보호, 정전압회로, 단락보호 회로가 내장되어 있으며 내부의 동작상태를 램프로 표시되며 유지보수가 쉽도록 제작되었습니다.

전면에 아나로그미터와 각종 제어 스위치 그리고 제어를 확인 할 수 있도록 램프가 표시되어 장비의 오작동을 하지 않도록 하였습니다.

사용분야는 전자빔코팅장비, 저항 가열식코팅장비, 진공시험장비 등에 사용 할 수 있습니다.

This ION BEAM-GUN, made by End-Hole method, enables rapid responses, accurate controls and a long durability through the special quality of the material and minute manufacturing.

This can be applied to assistance evaporation, cleaning, sputtering.

ISA-9000, the product of our own ORIGIN, controls system and excess current protection, constant voltage circuit, paragraph protection circuit are built-in for safety device and active state of the inside can be seen by the outer lamp so that maintenance can be handled with ease.

Anarogeumeter, various control switches, lamps that displays the status on the front side, are adopted confirming users not to perform any misconduct.

This can applied to electron beam coating equipment, resistance heating way coating equipment, vacuum test equipment.



Technical specifications

Gun power(energy)	4Kw, 8Kw
Gun shape	End holl
Gun cathode current(filament current)	50A max
Output emission current	0-16A dc
Output anode voltage	0-250V dc
Output anode current	0-16A dc
ION beam emission angle range	Approx 90 Deg
Electro feed through	700V dc, 50A, 25diameter 3ea
Gun Clinometric adjust range	-50..+ 50 Deg
Required cooling water	8 to 10 L/min (2kg/cm ²)
Gas feed through	1/8 inch tube fitting, 25diameter
Water feed through	1/4 inch tube fitting, 25diameter
Gun dimension	140 Diameter X 305(h)
Weight	Approx. 8kg



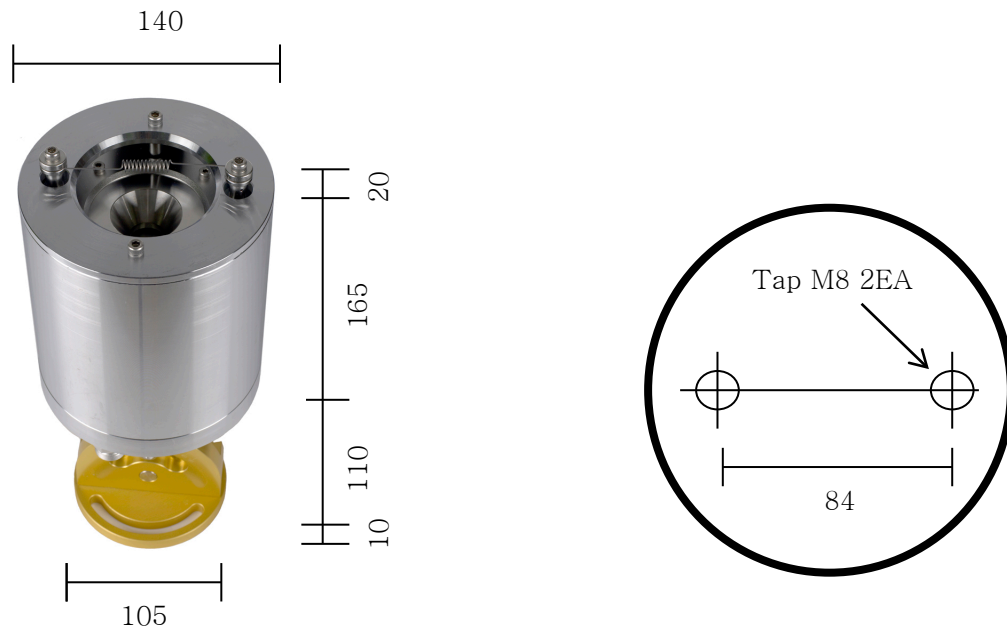
ORIGIN

309~310 Namkwang-centlex 440-4 Chung-chun-dong Bu-pyeong-ku Incheon South-Korea
TEL: + 82-32-514-5107 FAX + 82-32-363-3538 www.origin.ac

Dimensions

Unit mm

Mount



Order code

AN-9500-AA-B-C-D

A	Power (Energy)	04 =4Kw, 08 =8Kw
B	Spare	0 =Non
C	Spare	0 =Non
D	Spare	0 =Non



ORIGIN

Spare order code AN-9500 Only

 Filament	 Insulate 6H x 10Ø x 4Ø	 Insulate 9H x 13Ø x 5Ø	 Insulate 13H x 13Ø x 7Ø
P-9500-0001	P-9500-0002	P-9500-0003	P-9500-0004
 Insulate 95H x 18Ø x 6Ø	 Gas distributor	 Cooling anode plate	 Filament washer
P-9500-0005	P-9500-0006	P-9500-0007	P-9500-0008
 Filament support	 Cooling flexible 500mm	 Cooling flexible 600mm	 Gun inside cable 1000mm
P-9500-0009	P-9500-0010	P-9500-0011	P-9500-0012
 O-Ring Sat			
P-9500-0013			



ORIGIN

309~310 Namkwang-centlex 440-4 Chung-chun-dong Bu-pyeong-ku Incheon South-Korea
 TEL: + 82-32-514-5107 FAX + 82-32-363-3538 www.origin.ac

Part order code

			
Feedthrough High voltage power	Feedthrough Power	Feedthrough 6 Pin	Discharge probe 20Kv
P-0000-0001	P-0000-0002	P-0000-0003	P-0000-0004
			
Feedthrough Cooling water	Feedthrough Gas	Shutter cover 4,8,12 Pocket	Shutter drive Air
P-0000-0005	P-0000-0006	P-0000-0007,8,9	P-0000-0010
			
Crucible liner copper 18cc x 21cc	Crucible liner copper 10cc x 21cc	Crucible liner carbon 18cc x 21cc	Crucible liner carbon 10cc x 21cc
P-0000-0011	P-0000-0012	P-0000-0013	P-0000-0014
			
Crucible liner ceramic 18cc x 21cc	Crucible liner ceramic 10cc x 21cc	Crucible liner Special	Crucible cover 4,8,12 Pocket
P-0000-0015	P-0000-0016	P-0000-0017	P-0000-0018,19,20



ORIGIN

309~310 Namkwang-centlex 440-4 Chung-chun-dong Bu-pyeong-ku Incheon South-Korea
 TEL: + 82-32-514-5107 FAX + 82-32-363-3538 www.origin.ac