

# 90° AN-9500

The AN-9500 is a high-quality ion gun manufactured with top-grade materials and precision processing, distinguishing it from competitors. This product is designed with the End-hole method to ensure a long component lifespan and features fast response and precise control, characteristic of an ion gun.

The AN-9500 is applicable in various fields, including electronic beam coating equipment, vacuum cleaning equipment, resistance heating coating equipment, and vacuum testing equipment.

\* Can be used in conjunction with ORIGIN's AN-8000 product.

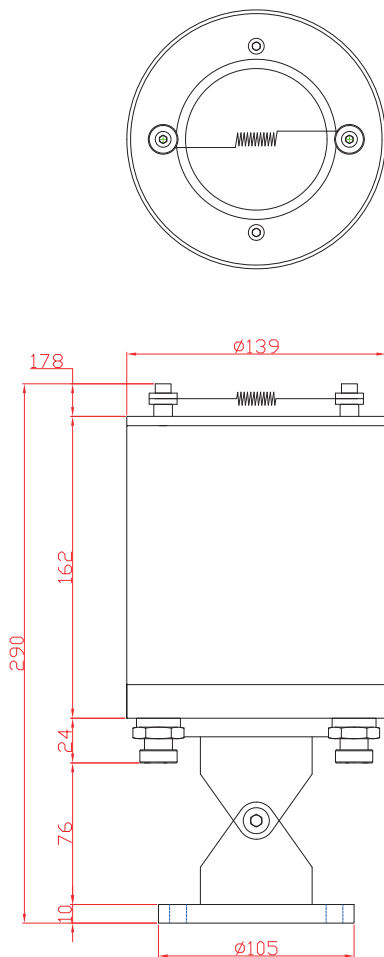
\* Some layouts may not be installable, so please inquire before placing an order.

\* We cannot guarantee the product's performance when used in combination with products from other manufacturers.



## External Dimensions

(Unit: mm)



## Technical Specifications

Model	AN-9500
Application	Etching, Auxiliary deposition, Cleaning
Maximum output power	4KW
Beam emission angle range	90°
Gun type	End holl
Output emission current	0 to 16Adc
Output anode voltage	0 to 250Adc
Output anode current	0 to 16Adc
Gun body angle adjust range	-50° to 50°
Operation pressure	2Kg / cm <sup>2</sup>
Cooling water flow rate	5 to 8 L/min
Fillament current	0 to 50A
Ground	Lees than ground resistantce 10 ohm
External dimensions (Unit: mm)	140 (D) X 305 (H)
Weight	Approximately 8kg

